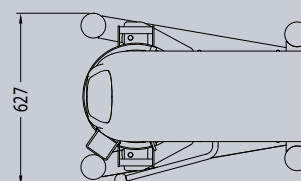
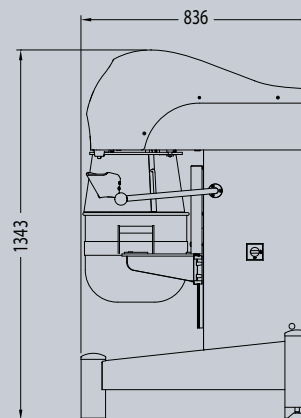


» PL30NH



PL30NVH



- Capacità vasca 30 litri
- Variatore elettronico di velocità con inverter
- Pannello touch commands IP54
- Sollevamento vasca manuale
- Protezione antinfortunistica fissa/girevole in plastica "F"
- Struttura in acciaio verniciato o in acciaio inox su richiesta

- Bowl capacity 30 liters
- Electronic variable speed by inverter
- Touch commands panel IP54
- Manual bowl lift
- Fixed rotating plastic safety guard "F"
- Structure in painted steel or in stainless steel on request

- Capacité cuve 30 litres
- Variateur électronique de vitesse par inverter
- Panneau de commandes touch IP54
- Levage de la cuve manuel
- Protection de sécurité fixe tournant en plastique "F"
- Structure en acier verni ou acier inox sur demande

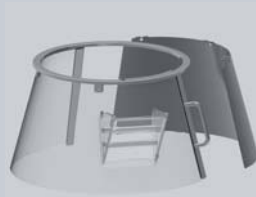
- Capacidad cuba 30 litros
- Variador electrónico de velocidad con inverter
- Panel de comando touch IP54
- Elevación manual del perol
- Protección de seguridad fija giratoria de plástico "F"
- Estructura de acero pintado o acero inox bajo demanda

- Объем дежи 30 л
- Электронный вариатор скорости
- Панель управления с сенсорным экраном IP54
- Миксер с подъемом дежи вручную
- Фиксированная пластиковая защита "F"
- Корпус из окрашенной или нержавеющей стали (по запросу)

Accessori standard - Standard accessories



Vasca
Bowl



Protezione fissa/girevole in plastica "F"
Fixed rotating plastic safety guard "F"



Frusta fili fini
Fine wire whisk



Spatola in alluminio
Aluminium beater



Gancio in alluminio
Aluminium hook

| Codice macchina Machine code | Capacità vasca Bowl capacity | Peso macchina Machine weight | Potenza Power | Velocità Speed | Voltaggio standard Standard voltage | Riduzioni Reduction |
|---------------------------------|---------------------------------|---------------------------------|------------------|--------------------------------|--|------------------------|
| | l | kg | kW | rpm | V / PH / Hz | l |
| PL30NVHF | 30 | 180 | 1,5 | min. 38 (83) max. 150 (333) | 230 / 1 / 50 - 60 | / |

